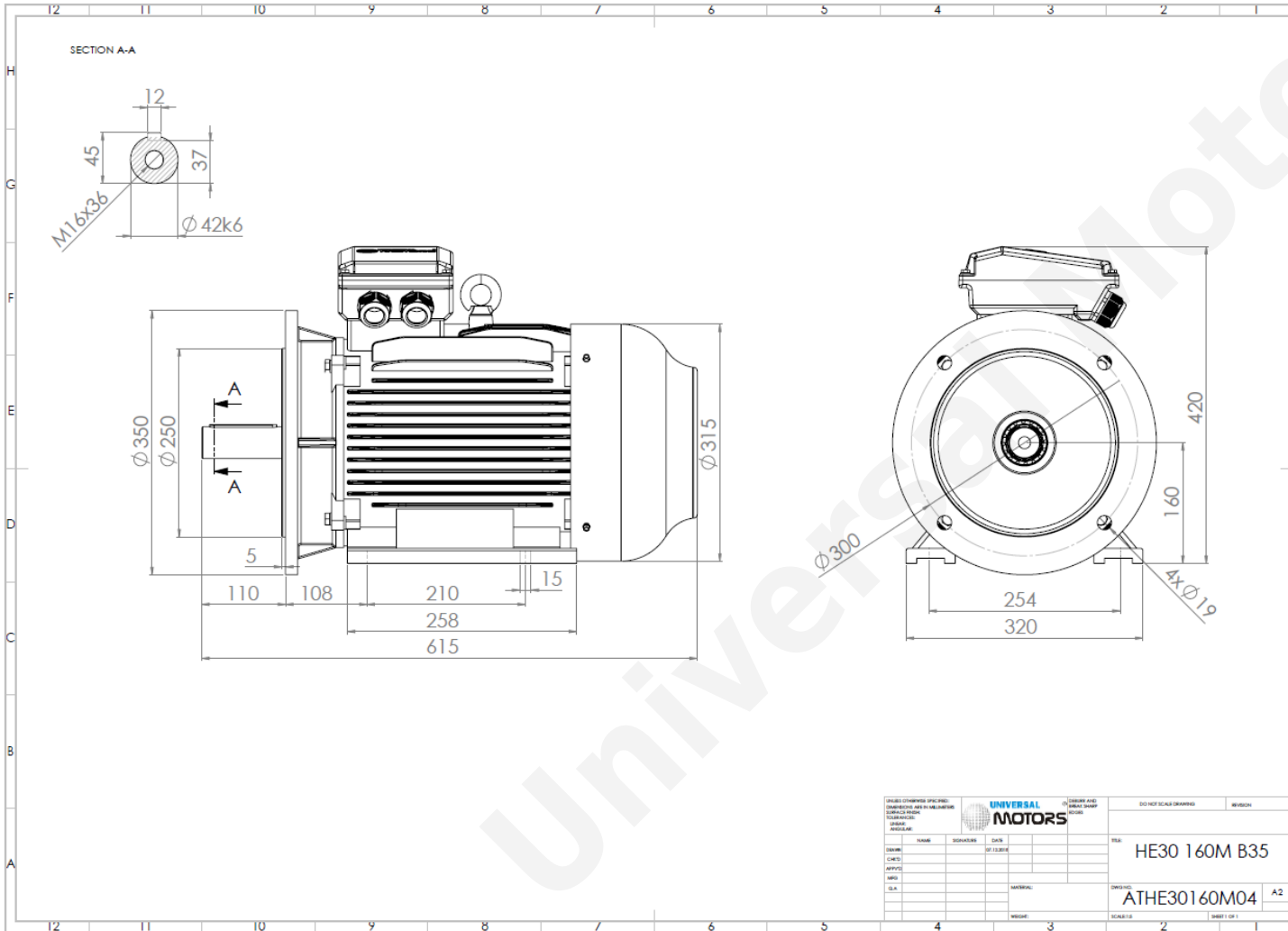




# TECHNICAL DATA

Three Phase Electric Motors - Cast Iron Frame  
 HE30 160 M2 2 IE2  
 15 kW / 20 Cv  
 2940 RPM



Motor type:	<b>HE30 160 M2 2 IE2</b>
Output:	<b>15 kW / 20 Cv</b>
Speed (min <sup>-1</sup> ):	<b>2940 RPM</b>
Frequency:	<b>50 Hz</b>
Voltage:	<b>400 V</b>
Current:	<b>26.9 A</b>
Power factor (Cos Ø):	<b>0.89</b>
Poles:	<b>2</b>
Insulation class:	<b>F</b>
Temperature rise Class:	<b>B</b>
Efficiency 50%:	<b>90.0 %</b>
Efficiency 75%:	<b>91.0 %</b>
Efficiency 100%:	<b>90.3 %</b>
Torque:	<b>49 N.m</b>
Tstarting/Tnominal:	<b>2.2</b>
Istarting/Inominal:	<b>8.0</b>
Tmaximum/Tnominal:	<b>2.3</b>
Noise:	<b>70 Db(A)</b>
Weight:	<b>132 Kg</b>
Bearing DE:	<b>6309 C3</b>
Bearing NDE:	<b>6309 C3</b>

UNIVERSAL MOTORS		DESIGN AND DRAWING	DO NOT SCALE DRAWING	REVISION
NAME	SIGNATURE	DATE	REV	HE30 160M B35
SCALE				
DATE				
APPROV				
CHG				
SLA				
MATERIAL				
WEIGHT				
DRAWING NO. ATHE30160M04			A2	
SCALE 1:1			SHEET 1 OF 1	

Regime - S1

Altitude - 1000m

Environment Temperature - 40°C

## CONTACTS:

UNIVERSAL MOTORS Tel: +351 252 299 080  
 Rua de São Brás,745 Fax: +351 252 299 089  
 4480-782 VILA DO CONDE Mail: [geral@universalmotors.pt](mailto:geral@universalmotors.pt)

\* References applied only in the UK